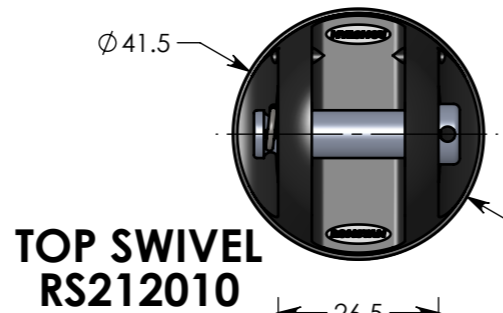
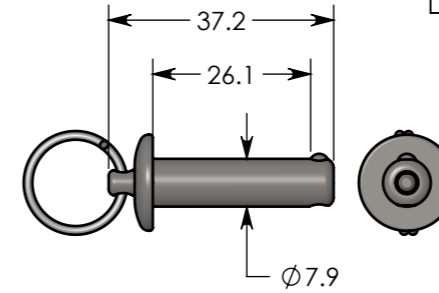


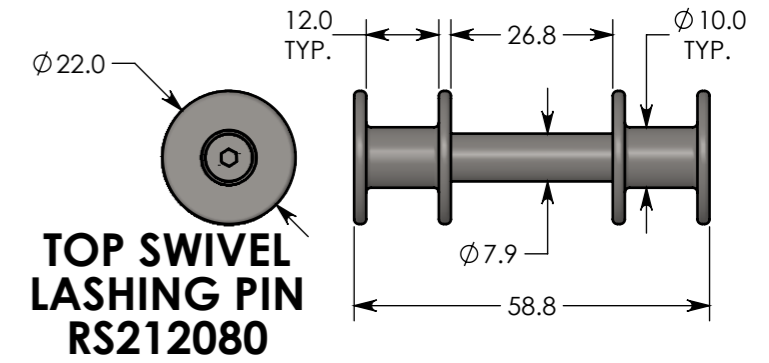
**TOP-DOWN FURLER**



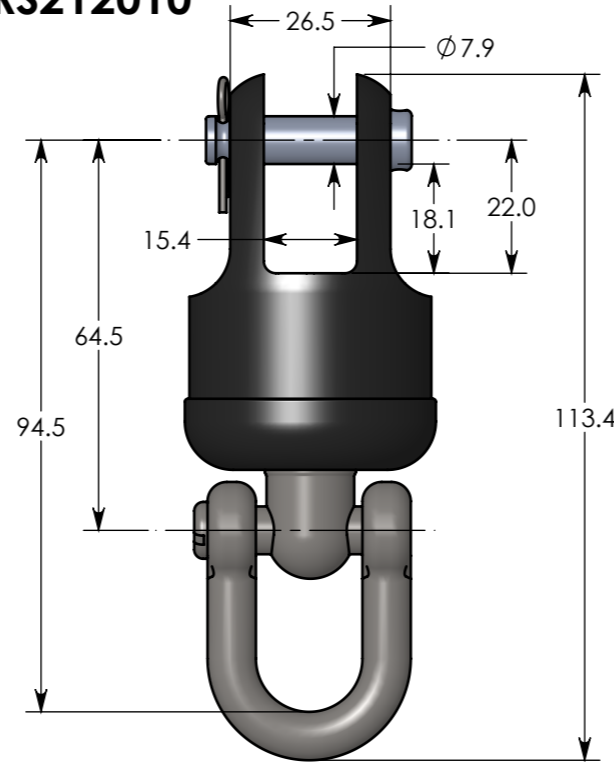
**TOP SWIVEL RS212010**



**QUICK RELEASE PIN RS212090**



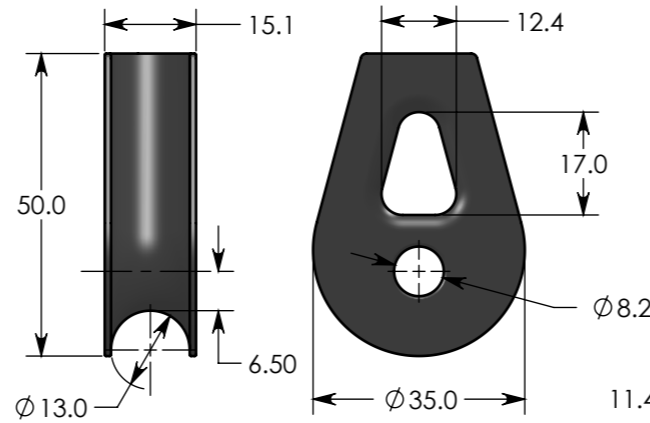
**TOP SWIVEL LASHING PIN RS212080**



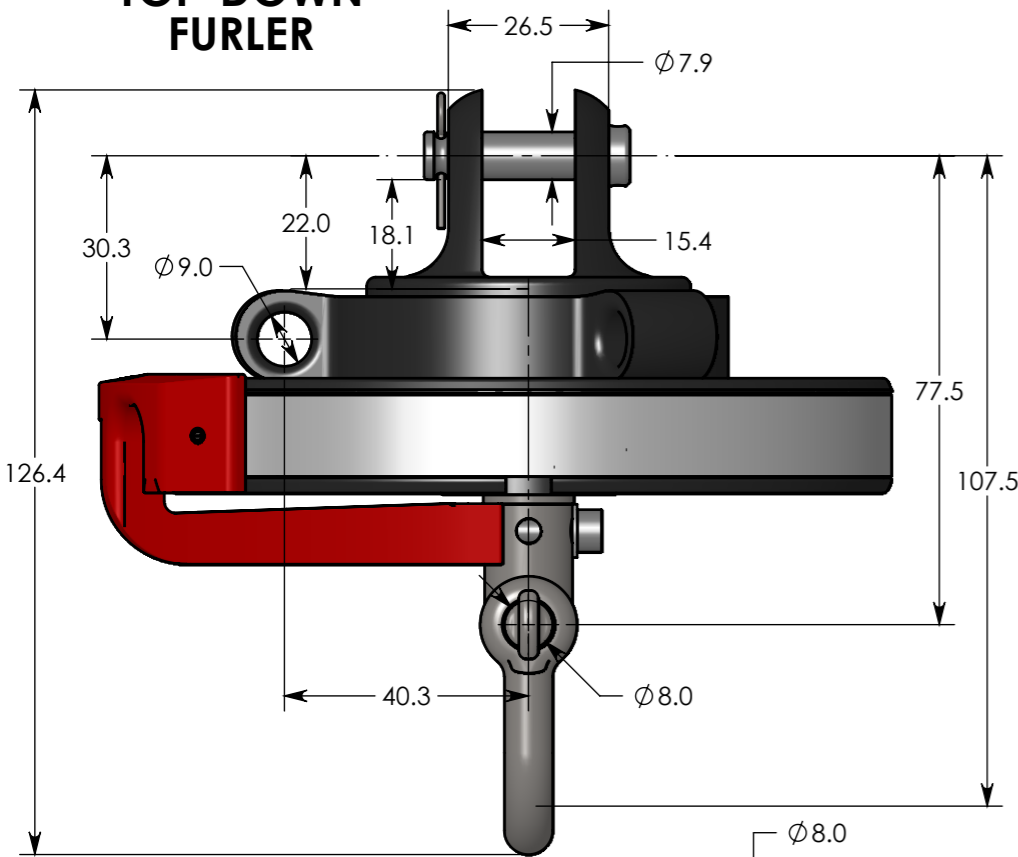
**TOP SWIVEL & SHACKLE WITH FLUSH PIN**



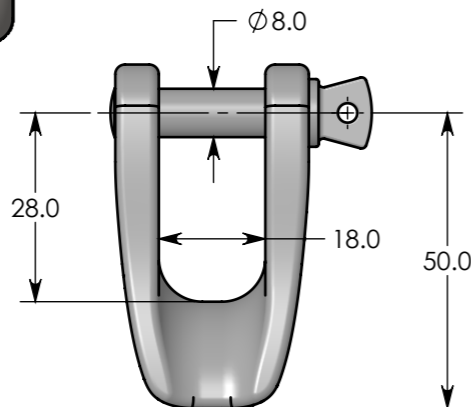
**LOOP SHACKLE L4-400-2**



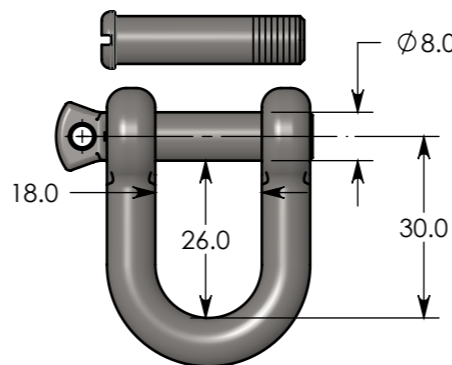
**THIMBLE RS212040**



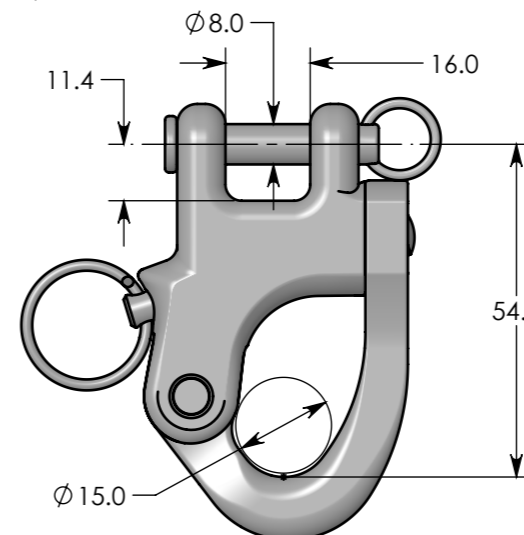
**ROTATION STOP RS212070**



**2:1 FAIRLEAD RS212030**



**HR SHACKLE RS212050**



**SNAP-SHACKLE ADAPTOR RS212020**

**SPECIFICATIONS: RS212800 S120 GEN 2 TOP-DOWN FURLER SET**

**TOP-DOWN FURLER & SHACKLE**  
 MWL = 1800kg (3970lb)  
 BL = 3600kg (7940lb)  
 WEIGHT \* = 498g (17.6oz)  
 FURLER LINE Ø = 8mm (5/16")  
 SHACKLE = 8mm HR

**RS212010 - TOP SWIVEL & SHACKLE WITH FLUSH PIN**  
 MWL = 1800kg (3970lb)  
 BL = 3600kg (7940lb)  
 WEIGHT \* = 162g (5.7oz)  
 SHACKLE = 8mm HR

\*Weight doesn't include Shackle

**ACCESSORIES:**

**RS212020 - SNAP SHACKLE ADAPTOR**  
 MWL = 1280kg (2820lb)  
 BL = 3850kg (8490lb)  
 WEIGHT = 130g (4.6oz)

**RS212030 - 2:1 FAIRLEAD**  
 MWL = 1760kg (3880lb)  
 BL = 4100kg (9040lb)  
 WEIGHT = 96g (3.4oz)

**RS212040 - THIMBLE**  
 MATERIAL = AL6061, ANODISED  
 WEIGHT = 23g (0.8oz)

**RS212050 - HR SHACKLE, 8mm (PLUS FLUSH PIN)**  
 BL = 4400kg (9700lb)  
 WEIGHT = 55g (1.9oz)

**RS212070 - FURLER ROTATION STOP**  
 WEIGHT = 10g (0.3oz)

**RS212080 - TOP SWIVEL LASHING PIN, 8mm**  
 MWL = 1800kg (3970lb)  
 BL = 3600kg (7940lb)  
 WEIGHT = 48g (1.7oz)

**RS212090 - QUICK RELEASE PIN, 8mm**  
 MWL = 1800kg (3970lb)  
 BL = 3600kg (7940lb)  
 WEIGHT = 14g (0.5oz)

**L4-400-2 - SOFT LOOP SHACKLE, 4mm x 400mm**  
 MWL = 600kg (1320lb)

THE DOCUMENT & THE DESIGN ON IT IS THE EXCLUSIVE PROPERTY OF RONSTAN INTERNATIONAL PTY. LTD. & IS THE SUBJECT OF COPYRIGHT.



DATE: 12/07/13  
 ALL DIMS IN MM  
 DO NOT SCALE

[www.ronstan.com](http://www.ronstan.com)