



LFX Anchor Overview.



LEWMAR®



1) LFX Anchors & Bags, (2kg / 3kg / 5kg / 7kg / 10kg)

- Made from lightweight and strong, high-grade aluminium alloy
- Tough, durable and corrosion-resistant anodised finish
- Performs at its best in mud and sand environments
- Super high holding power
- Adjustable fluke angle for different conditions
- Easily detachable for locker storage (minimal tools required)





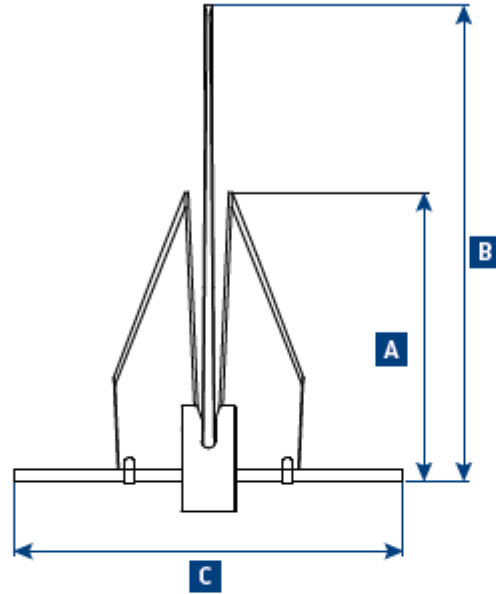
Selection guide

ANCHOR WEIGHT		BOAT LENGTH OVERALL					
KG	LB	5 M 16 FT	8 M 28 FT	10 M 33 FT	12 M 39 FT	14 M 46 FT	16 M 52 FT
2	4						
3.2	7						
4.5	10						
7	15						
10	21						

Lighter shading represents the upper limit of model. If in doubt, move up a model.

This information is for guidance only, please consult the relevant Classification Society for specific certification requirements.

Dimensions Diagram



LFX Anchor Specifications

PART NUMBER	BAG PART NUMBER	ANCHOR WEIGHT		RECOMMENDED CHAIN SIZE		A		B		C	
		KG	LB	MM	IN	MM	IN	MM	IN	MM	IN
0058102	0058302	2	4	6	1/4	342	13 1/2	565	22 1/4	462	18 1/5
0058103	0058303	3.2	7	6 TO 7	1/4	407	16	672	26 4/9	550	21 2/3
0058105	0058305	4.5	10	8	5/16	452	17 4/5	746	29 3/8	610	24
0058107	0058307	7	15	10	3/8	517	20 1/3	853	33 4/7	699	27 1/2
0058110	0058310	10	21	10	3/8	579	22 4/5	954	37 4/7	781	30 3/4

Dimensions subject to +/- 2% tolerance