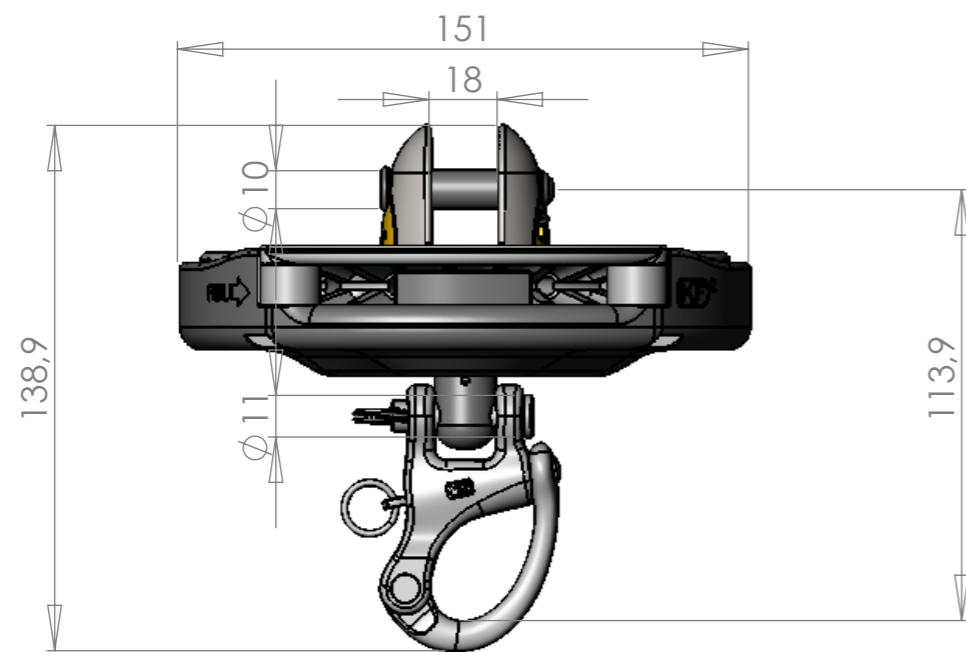
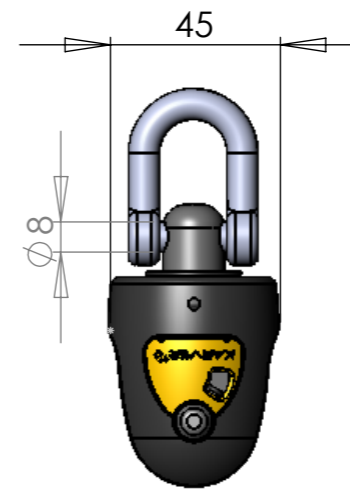
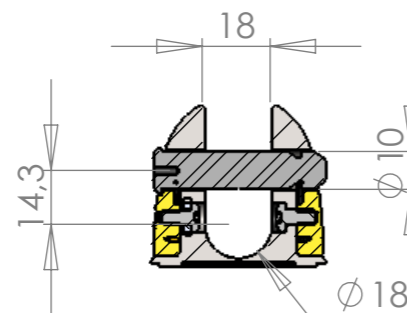
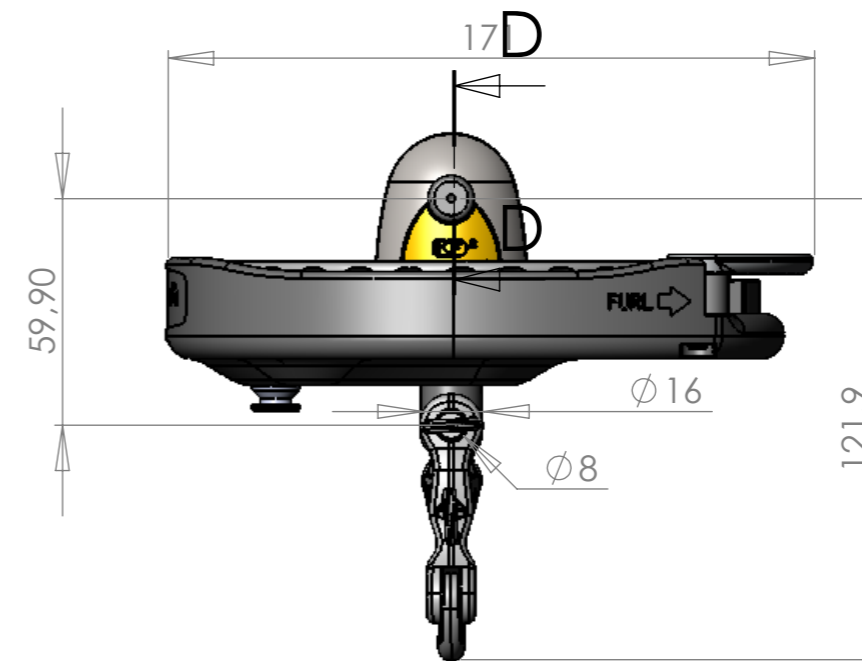


WEIGHT : 240g



WEIGHT : 781g



COUPE D-D

DATE	RECORD OF CHANGES	NAME	VISA	IND.
MATERIAL	GENERAL TOLERANCES JS13js13	DOCUMENT EVOLUTION		
MECHANICAL PROPERTIES & TREATMENT	SURFACE	Dwg by on: M.C.	WEIGHT 1021g	SCALE
FINISHING	PROTECTION	FOLIO		
ATTACHEMENT	TYPE	 www.karver-systems.com		
PART NAME	KF2			
KF2 FURLER		PART NUMBER PF090000	FORMAT A3	
PRODUCT CODE K 09				